



3 Garden Street, Morwell Vic 3840  
ABN: 46 610 154 768

**PREPARED FOR**

# HEARTH & HOME TECHNOLOGIES



## **THERMAL CLEARANCE TESTING OF THE QUADRA-FIRE 4300 STEP TOP FREE-STANDING APPLIANCE**

Report Number: ASFT21017-PRELIMINARY REPORT

Issue date: 30 March 2021

By:  
Garry W. Mooney

## Report Distribution

### Hearth & Home Technologies

352 Mountain House Road

Halifax, PA 17032

United States of America

Mr Brian Wallace

ASFT Report Archive

### Revision Details

Revision	Date	Comments
0	30/03/2021	Preliminary report – awaiting payment and engineering drawings of appliance

### Disclaimer

This Report is intended only for the use of the individual or entity named above (Intended Recipient). ASFT is not liable to the Intended Recipient in respect of any loss, damage, cost or expense suffered as a result of reliance on the information contained in this Report or any actions taken or not taken on the basis of this Report. In particular, results presented in this Report relate exclusively to the samples selected by the Intended Recipient and no responsibility is taken for the representativeness of these samples.

This report shall not be reproduced except in full, without written approval of ASFT.

QD-001R1

Copyright © 2021 ASFT

## THERMAL CLEARANCE TESTING OF THE APPLIANCE FREE-STANDING APPLIANCE

### Report

The Quadra-fire 4300 Step Top Free-Standing appliance installed with a Wildcat 6” default flue kit was tested in two positions in a manner conforming to joint Australian/New Zealand Standard 2918:2018, Appendix B.

A minimum 1130mm deep x 800mm wide x 6mm thick floor protector (compressed board) should be used under and in front of the appliance base when installing the appliance (see joint AS/NZS 2918:2018 3.3.2). The floor protector should extend 400mm in front of the appliance door and be placed centrally in the 800mm width. The Thermal resistivity of the floor protector is 0.026m<sup>2</sup>.K/W for 6mm thick compressed board sheets.

The Quadra-fire 4300 Step Top Free-Standing solid fuel appliance installed with a Wildcat 6” default flue kit conforms to the requirements of the joint AS/NZS 2918:2018 Standard, Appendix B.

The appliance and flue system were tested at the following clearances:

Position A – Parallel position

Position B – Corner position

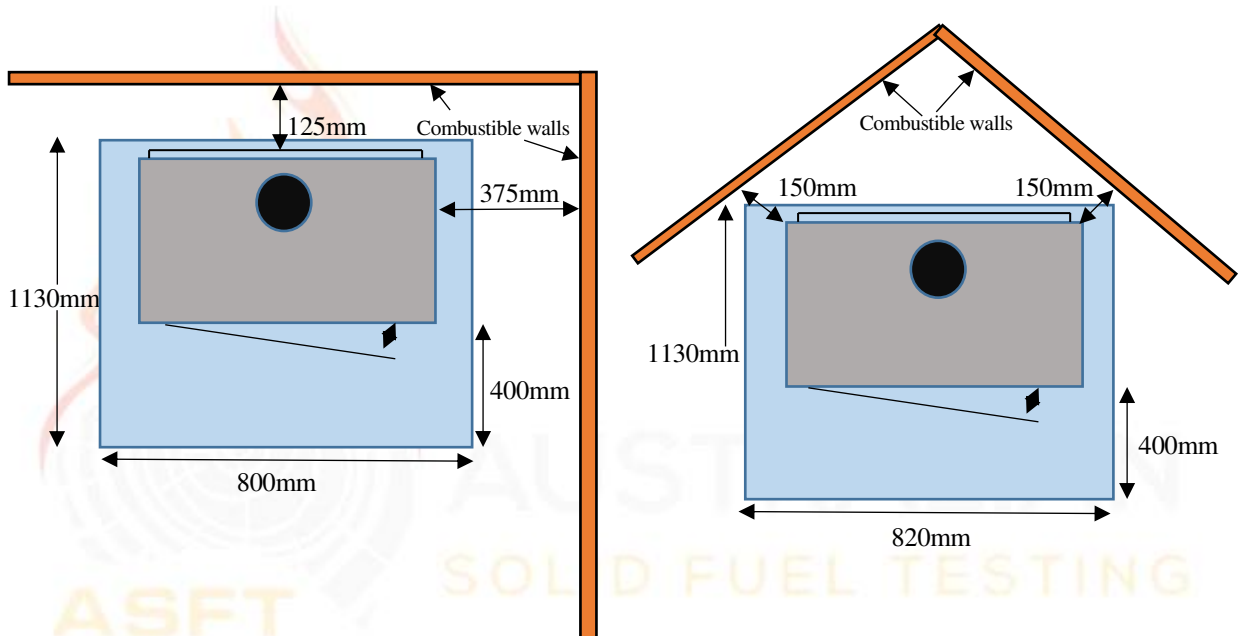




Figure 1 – Clearance Diagram

<b>Signed</b>		<b>Approved</b>	
<b>Name</b>	Garry W. Mooney	<b>Name</b>	Steve Marland
<b>Title</b>	Technical Officer	<b>Title</b>	Managing Director – Australian Solid Fuel Testing
<b>Date</b>	30/03/2021	<b>Date</b>	30/03/2021

## 1. INTRODUCTION

Thermal Clearance testing of the Appliance and flue system took place on 29 March 2021 at the Australian Solid Fuel Testing Laboratory located at 3 Garden Street, Morwell, Victoria. The testing was performed by Mr G.W. Mooney and Mr S. Marland.

## 2. PROCEDURE

Testing was conducted as per Appendix B of AS/NZS2918;2018, Hot sites were located with the aid of an infra-red thermometer. Thermocouple tips were stapled onto the test surfaces, with black tape over the first 100 mm to facilitate consistent and accurate recording of temperatures.

Thermocouple positions are shown in the table below:

### Position A – Parallel Position

Thermocouple No.	Position	Thermocouple No.	Position
1	Floor - 1300mm in front of centre	16	Floor – 150mm RHS of centre
2	Floor – 1200mm in front of centre	17	Floor – 300mm RHS of centre
3	Floor - 1050mm in front of centre	18	Floor – 450mm RHS of centre
4	Floor – 900mm in front of centre	19	Ceiling Ring – Inner front
5	Floor – 750mm in front of centre	20	Ceiling Ring – 25mm in front
6	Floor – 600mm in front of centre	21	Ceiling Ring – Inner side
7	Floor – 450mm in front of centre	22	Ceiling Ring – 25mm to side
8	Floor – 300mm in front of centre	23	Rear wall – 662mm from corner, 1373mm above the floor
9	Floor – 150mm in front of centre	24	Rear wall – 658mm from corner, 1087mm above the floor
10	Floor – Centre of flue	25	Rear wall – 460mm from corner, 700mm above the floor
11	Floor – 150mm behind centre	26	RHS wall, 1076mm from corner, 577mm above the floor
12	Floor – 300mm behind centre	27	RHS wall, 313mm from corner, 1042mm above the floor
13	Floor – 450mm LHS of centre	28	RHS wall, 458mm from corner, 1023mm above the floor
14	Floor – 300mm LHS of centre	29	Rear wall – 514mm from corner, 929mm above the floor
15	Floor – 150mm LHS of centre	30	Ambient temperature

### Position B – Corner Position

Thermocouple No.	Position	Thermocouple No.	Position
19	Ceiling Ring – Inner front	25	LHS wall – 437mm from corner, 1174mm above the floor
20	Ceiling Ring – 25mm in front	26	RHS wall, 637mm from corner, 1009mm above the floor
21	Ceiling Ring – Inner side	27	RHS wall, 313mm from corner, 1042mm above the floor
22	Ceiling Ring – 25mm to side	28	RHS wall, 489mm from corner, 1074mm above the floor
23	LHS wall – 394mm from corner, 1646mm above the floor	29	LHS wall, 514mm from corner, 929mm above the floor
24	LHS wall – 518mm from corner, 1018mm above the floor	30	Ambient temperature

TABLE 1

### **3. TEST FUEL**

Testing was conducted with Pinus Radiata as the test fuel which had a moisture content of 12.3% moisture. Each firewood piece was 300mm x 100mm x 40mm.

### **4. FLUE SYSTEM**

The flue system used during testing was a Wildcat 6" default Perforated flue kit was supplied by Wildcat Industries (Aust) P/L. This flue system has been tested to joint AS/NZS 2918:2018, Appendix F. The flue height was  $4.6 \pm 0.1$ m from the floor protector. Appendix 1 shows details of the flue system.

### **5. RESULTS**

#### **5.1 High Fire Test**

The appliance was fired in accordance with Section B9.1 of AS/NZS2918;2018. The level of fuel was maintained between 50-75% of the full volume level of the fuel chamber during the High Fire test.

The average fuel load for initiating the High Fire tests was 8.0kg with an average refuelling rate of 1.3kg/10 minutes.

During High Fire testing it was found that the highest surface temperatures occurred when the primary air control of the appliance was fully open and the automatic combustion control was set to the Hi position.

#### **5.2 Flash Fire Test**

Immediately after the High Fire test was completed, sufficient embers were removed to bring the fire bed to a level of 15-25% of the fuel chamber volume. The appliance was then fired in accordance with Section B9.2 of AS/NZS2918;2018.

The average fuel load for initiating the Flash Fire tests was 6.8kg.

The highest temperature rises were achieved by leaving the main door resting against the door catch with the primary air fully open and the automatic combustion control set to the Hi position.

### 5.3 Ambient and Test Surface Temperatures

The Tables below show the Ambient temperatures and test surfaces temperatures during testing of the appliance and flue combination:

#### *Ambient Temperature Range °C*

Position	High Fire	Flash Fire
A	10.6 – 24.3	18.6 – 22.0
B	16.8 – 20.2	18.1 – 21.2

#### *Maximum Surface Temperature Rise above Ambient - Position A*

Position	Thermocouple Number	High Fire Test (°C)	Thermocouple Number	Flash Fire Test (°C)
Floor	5	60.5	5	62.4
Ceiling	20	43.2	20	48.5
Rear Wall	29	61.1	24	59.2
Side Wall	28	61.5	26	61.4

#### *Maximum Surface Temperature Rise above Ambient - Position B*

Position	Thermocouple Number	High Fire Test (°C)	Thermocouple Number	Flash Fire Test (°C)
Ceiling	20	45.3	20	76.5
RHS Wall	28	60.5	26	64.1
LHS Wall	25	54.5	25	62.4

### 5.4 Uncertainty of Measurement Statement

5.5.1 The uncertainty of distance measurement for determining clearance distances was not greater than  $\pm 3$ mm.

5.5.2 The uncertainty of temperature measurement during the entire test period was a maximum of  $\pm 2^\circ\text{C}$  at a 95% confidence level.

## 6. APPLIANCE CONSTRUCTION DETAILS

The test results reported directly relate to the appliance/flue system tested. The details of the appliance given in this section include features which may affect safety clearances. Any change in the design/construction of this appliance or flue may invalidate this report. Below are the constructions details of the appliance:

Appliance Model Name: <b>4300 Step top</b>	Serial No: <b>HF3053339</b>	
Manufacturer: <b>Hearth &amp; Home Technologies</b>		
Overall Height: <b>868mm</b>	Overall Depth: <b>728mm</b>	Overall Width: <b>660mm</b>
Top Plate Width: <b>660mm</b>	Top Plate Depth: <b>633mm</b>	Top Plate Thickness: <b>8mm Step Top</b>
Appliance Legs Height: <b>250mm</b>	Depth: <b>45-60mm</b>	Width: <b>45-60mm</b>
Usable Firebox Height: <b>303mm</b>	Width: <b>420mm</b>	Depth: <b>504mm</b>
Usable Firebox Volume: <b>61.12 Litres</b>		
Firebox Material Type/Seam Fully Welded: <b>Fully welded 6mm steel</b>		
Firebrick Type: <b>32mm ceramic, up to 220mm</b>		
Main Door Opening Height: <b>235-278mm</b>	Width: <b>397mm</b>	
Door Height: <b>323-380mm</b>	Width: <b>482mm</b>	Depth: <b>23mm</b>
Door glass Height: <b>243-280mm</b>	Width: <b>382mm</b>	
Primary Air Location: <b>Right side top of firebox. Fitted with delayed time for primary air with over-ride option</b>		
Dimension of Primary Air: <b>TBD</b>		
Area of Primary (mm <sup>2</sup> ): <b>TBD</b>		
Secondary/Tertiary Air Location: <b>4 tubes below baffle 3 with 21 holes @ 3.175mm, 1 with 31 holes @ 4.7625mm facing forward. 17 holes @ 6.35mm from door wash facing backwards into firebox</b>		
Dimension of Secondary/Tertiary Air: <b>63 holes @ 3.175mm + 31 holes @ 4.7625mm + 17 holes @ 6.35mm</b>		
Area of Secondary/Tertiary Air (mm <sup>2</sup> ): <b>498.85+552.3+538.45 = 1,589.6mm<sup>2</sup></b>		
Rear Air location: <b>4 holes @ 10.31875, 230mm below baffle at rear of firebox</b>		
Dimensions of Rear Air: <b>4 holes @ 10.31875mm</b>		
Area of Rear Air: <b>334.55mm<sup>2</sup></b>		
Boost Air Location: <b>Base of firebox at front</b>		
Dimensions of Boost Air: <b>1 slot 20 × 18mm + 2 slots 15 × 1.5mm</b>		
Area of Boost Air: <b>405mm<sup>2</sup></b>		
Baffle Plate size: <b>403×478×13mm calcium silicate board with 15mm Baffle blanket on top</b>		
Flue Dimensions: <b>152mm</b>		
Spigot Dimensions:	OD: <b>162mm</b>	ID: <b>155mm</b>
Spigot to Rear of Appliance: <b>85mm</b>		
Heat Shield below Firebox Width: <b>395mm</b> Depth: <b>460mm</b> Thickness: <b>1.2mm</b> Firebox to shield: <b>35mm</b>		
Rear Internal to External Heat Shield: <b>45mm</b>		
Firebox to Side External Heat Shield: <b>75mm</b>		
Heat Shield Material Type: <b>1.2mm steel</b>		
Water Heater Fitted: <b>No</b>		
Fan Location/Speeds: <b>N/A</b>		
Catalytic Combustor fitted: <b>No</b>		
Grate: <b>No</b>		
<b>NOTE: Accuracy of measurement is ±5% of the measured value</b>		

## 7. CONCLUSION

The Quadra-fire 4300 Step Top Free-Standing appliance installed with a Wildcat 6” default flue kit, conforms to the requirements of Australian/New Zealand Standard 2918:2018, with respect to floor, ceiling, side wall and rear wall surface temperatures, when tested in the test positions shown in Figure 1 of this report in accordance with Appendix B of AS/NZS2918:2018.





**APPENDIX 1:**

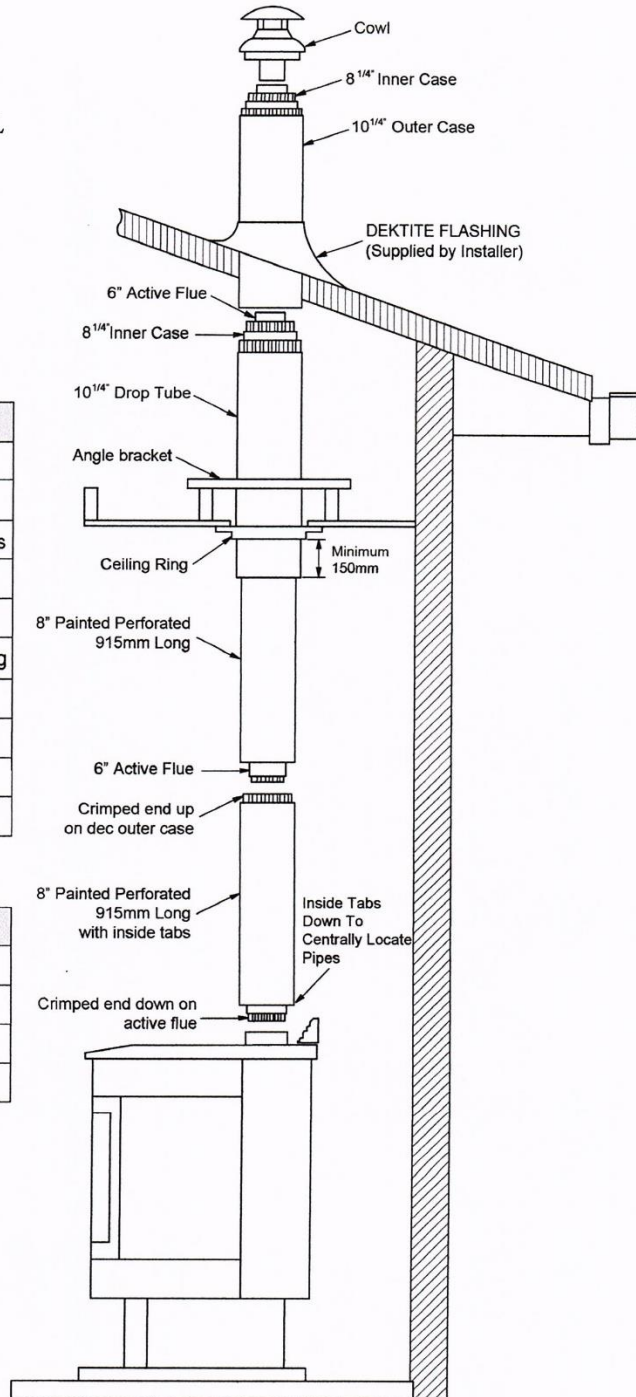


**Freestanding Universal/  
 Default Kit Perforated  
 6" - 8 1/4" - 10 1/4" System**

QTY	DESCRIPTION
4	6" Stainless Steel Inner Flue 915mm Long
1	8" Painted Perforated 915mm Long
1	8" Painted Perforated 915mm Long with inside tabs
2	8 1/4" Galvanized Inner Flue Casing 915mm Long
1	10 1/4" Half Painted Drop Tube
1	10 1/4" Galvanized Outer Flue Casing 915mm Long
1	Cowl
1	Ceiling Ring
2	50 x 50 Angles 915mm Long
1	Installation Guide

CARTON SPECIFICATIONS	
Height	460mm
Width	460mm
Length	1150mm
Weight	32kg

WILDCAT INDUSTRIES  
 35 Marconi Drive, Dandenong South VIC 3175  
 PH: 03 9794 9956  
 ABN 84 112 862 718  
[www.wildcatindustries.com.au](http://www.wildcatindustries.com.au)



**MUST ONLY BE INSTALLED BY AN AUTHORISED PERSON IN COMPLIANCE WITH AS 2918**

Default 10 25 Instruction page