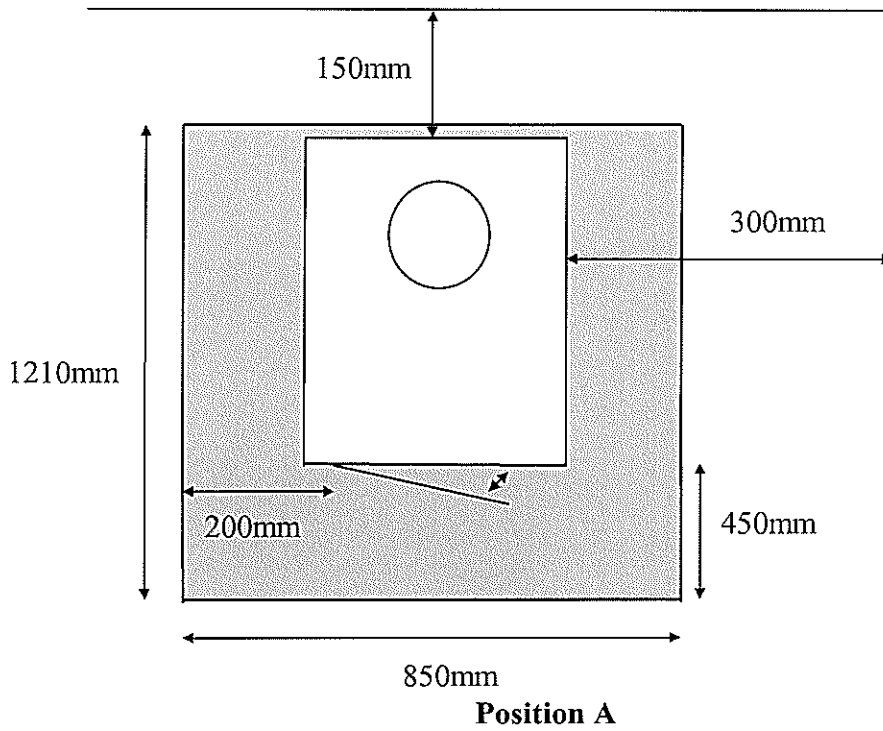


**APPENDIX 1:
 MINIMUM CLEARANCES FOR THE QUADRAFIRE MILLENIUM 5700 STEP TOP ACC
 SOLID FUEL APPLIANCE INSTALLED WITH
 A DEFAULT FLUE KIT**



The floor protector consisted of 6mm thick cement fibre sheet which had a thermal resistance of 0.8m².k/W.

