

Installation Manual

Installation & Appliance Set-Up

INSTALLER: Leave this manual with party responsible for use and operation.
OWNER: Retain this manual for future reference.

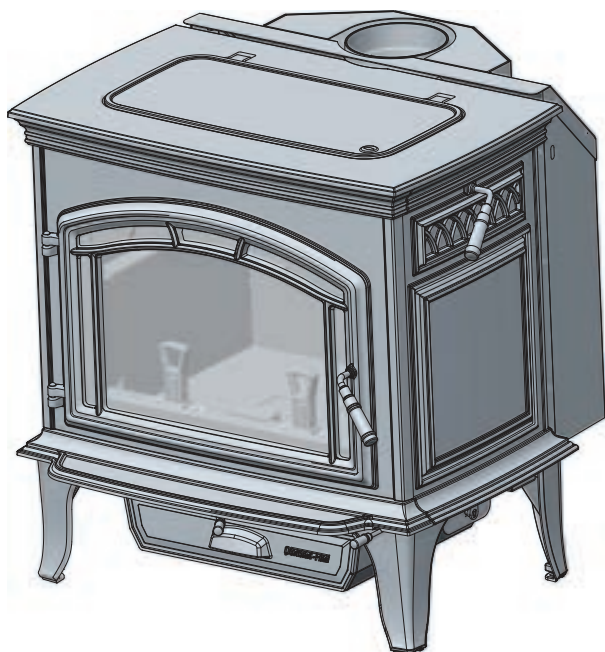
NOTICE: DO NOT DISCARD THIS MANUAL

QUADRA-FIRE®

**EXPLORER III APAC WOOD FIRE
APPLIANCE**

**AUTOMATIC COMBUSTION
CONTROL (ACC)**

**MODEL:
EXPIII-MBK-APAC**



WARNING



If the information in these instructions is not followed exactly, a fire could result causing property damage, personal injury, or death.

- Do not store or use gasoline or other flammable vapors and liquids in the vicinity of this or any other appliance.
- Do not over fire - If appliance or chimney connector glows, you are over firing. Over firing will void your warranty.
- Comply with all minimum clearances to combustibles as specified. Failure to comply may cause house fire.



WARNING



HOT SURFACES!

Glass and other surfaces are hot during operation AND cool down.

Hot glass and appliance will cause burns.

- Do not touch glass until it is cooled
- Use leather gloves when reloading fuel
- NEVER allow children to touch glass
- Keep children away
- CAREFULLY SUPERVISE children in same room as appliance.
- Alert children and adults to hazards of high temperatures
- High temperatures may ignite clothing or other flammable materials.
- Keep clothing, furniture, draperies and other flammable materials away.



WARNING



Fire Risk.

For use with solid wood fuel only. Other fuels may over fire and generate poisonous gases (i.e. carbon monoxide).

Safety Alert Key:



- **DANGER!** Indicates a hazardous situation which, if not avoided will result in death or serious injury.
- **WARNING!** Indicates a hazardous situation which, if not avoided may result in death or serious injury.
- **CAUTION!** Indicates a hazardous situation which, if not avoided, may result in minor or moderate injury.
- **NOTICE:** Indicates practices which may cause damage to the appliance or to property.

TABLE OF CONTENTS

1 Important Safety Information	3	4 Chimney Systems	11
A. Appliance Certification	3	A. Locating Your Appliance & Chimney	11
B. BTU & Efficiency Specifications	3	B. Minimum Height of Flue System Exit	12
C. Glass Specifications	4	C. Chimney Termination Requirements	13
D. Non-Combustible Materials	4	D. General Flue System Instructions	14
E. Combustible Materials	4	E. Chimney Height / Rise and Run	14
2 Getting Started	5	F. Installing Chimney Components	14
A. Design and Installation Considerations	5	G. Proper Draft	14
B. Fire Safety	5	H. 6" - 8" - 10" Freestanding Triple Skin System	15
C. Negative Pressure.	5	I. Tested Flue Systems.	16
D. Tools And Supplies Needed	6	J. Un-Tested Flue Systems	17
E. Inspection of Appliance and Components	6	5 Appliance Set-Up	18
F. Removal of Appliance from Shipping Materials	6	A. Outside Air Kit Installation	18
G. Install Checklist	7	6 AS/NZS 2918:2018 General Notes ...	19
3 Dimensions and Clearances	8	7 Reference Materials	20
A. Appliance Dimensions	8	A. Service and Maintenance Log	20
B. Hearth Protection Requirements	9	B. Accessories	23
C. Firebox Installation	9		
D. Clearances to Combustibles	10		

1 Important Safety Information

A. Appliance Certification

Model:	Explorer II AU Wood Appliance
Laboratory:	Australian Solid Fuel Testing (ASFT)
Report No:	ASFT19001
Report Test Date:	10 January, 2019
Type:	Hardwood less than 25% dry basis
Standard:	AS/NZS 2918:2018

B. BTU & Efficiency Specifications

Report No:	ASFT18014
Report Test Date:	20 December, 2018
Standard:	AS/NZS 4012:4013 (2014)
Overall Average Efficiency Burning Hardwood (AS/NZS 4012)	63%
Average Particulate Emission Factor Burning Hardwood (AS/NZS 4013)	1.1 g/kg
Maximum Average Heat Output Burning Hardwood	11.8kW
Wetback	Wetbacks are NOT an approved option and must be fitted.
Vent Size:	6 inches
Firebox Size:	3.00 cubic feet
Recommended Wood Length:	18 inches
Fuel Orientation:	Side-to-Side
Approved Fuel	Hardwood only with a Moisture content less than 25% (dry basis)

NOTE: Hearth & Home Technologies, manufacturer of this appliance, reserves the right to alter its products, their specifications and/or price without notice.

The Quadra-Fire Explorer III Australian Wood Appliance is Hardwood Certified. Particulate Emissions equaling 1.1 g/kg with a space heating efficiency of 63%.

This wood appliance needs periodic inspection and repair for proper operation.

C. Glass Specifications

This appliance is equipped with 5mm ceramic glass. Replace glass only with 5mm ceramic glass. Please contact your dealer for replacement glass.

D. Non-Combustible Materials

Material which will not ignite and burn, composed of any combination of the following:

- Steel
- Plaster
- Brick
- Iron
- Concrete
- Tile
- Glass
- Slate

E. Combustible Materials

Material made of/or surfaced with any of the following materials:

- Wood
- Compressed Paper
- Plant Fibers
- Plastic
- Plywood/OSB
- Sheet Rock (drywall)

Any material that can ignite and burn: flame proofed or not, plastered or non-plastered.



WARNING



Fire Risk.

Hearth & Home Technologies disclaims any responsibility for, and the warranty will be voided by, the following actions:

- Installation and use of any damaged appliance.
- Modification of the appliance.
- Installation other than as instructed by Hearth & Home Technologies.
- Installation and/or use of any component part not approved by Hearth & Home Technologies.
- Operating appliance without fully assembling all components.
- Operating appliance without legs attached (if supplied with unit).
- Do NOT Over fire - If appliance or chimney connector glows, you are over firing.

Any such action that may cause a fire hazard.

Improper installation, adjustment, alteration, service or maintenance can cause injury or property damage.

For assistance or additional information, consult a qualified installer, service agency or your dealer.

Hearth & Home Technologies WILL NOT warranty appliances that exhibit evidence of over-firing. Evidence of over-firing includes, but is not limited to:

- Warped air tube
- Deteriorated refractory brick retainers
- Deteriorated baffle and other interior components

NOTE: Hearth & Home Technologies, manufacturer of this appliance, reserves the right to alter its products, their specifications and/or price without notice.

Install Guide

2 Getting Started

A. Design and Installation Considerations


Consideration must be given to:



- Safety
- Convenience
- Traffic flow
- Chimney and chimney connector required

It is a good idea to plan your installation on paper, using exact measurements for clearances and floor protection, before actually beginning the installation. If you are not using an existing chimney, place the appliance where there will be a clear passage for a factory-built listed chimney through the ceiling and roof.

We recommend that a qualified building inspector and your insurance company representative review your plans before and after installation.

If this appliance is in an area where children may be near it is recommended that you purchase a decorative barrier to go in front of the appliance. Remember to always keep children away while it is operating and do not let anyone operate this appliance unless they are familiar with these operating instructions.

	CAUTION
<p>Check building codes prior to installation.</p> <ul style="list-style-type: none"> • Installation MUST comply with local, regional, state and national codes and regulations. • Consult insurance carrier, local building, fire officials or authorities having jurisdiction about restrictions, installation inspection, and permits. 	

	WARNING
	<p>Asphyxiation Risk.</p> <ul style="list-style-type: none"> • Do NOT connect this appliance to a chimney flue servicing another appliance. • Do NOT connect to any air distribution duct or system. <p>May allow flue gases to enter the house.</p>



<p>NOTICE: Hearth & Home Technologies assumes no responsibility for the improper performance of the appliance system caused by:</p> <ul style="list-style-type: none"> • Inadequate draft due to environmental conditions • Down drafts • Tight sealing construction of the structure • Mechanical exhausting devices • Over drafting caused by excessive chimney heights • Ideal performance is with height of chimney between 14-16 feet (4.26-4.88m) measured from the base of the appliance.

B. Fire Safety

To provide reasonable fire safety, the following should be given serious consideration:

1. Install at least one smoke detector on each floor of your home to ensure your safety. They should be located away from the heating appliance and close to the sleeping areas. Follow the smoke detector manufacturer's placement and installation instructions, and be sure to maintain regularly.
2. A conveniently located Class A fire extinguisher to contend with small fires resulting from burning embers.
3. A CO detector should be installed in the room with the appliance.
4. A practiced evacuation plan, consisting of at least two escape routes.
5. A plan to deal with a chimney fire as follows:
6. In the event of a chimney fire:
 - a. Evacuate the house immediately
 - b. Notify fire department.

C. Negative Pressure

	WARNING
	<p>Asphyxiation Risk.</p> <ul style="list-style-type: none"> • Negative pressure can cause spillage of combustion fumes, soot and carbon monoxide. • Appliance needs to draft properly for safety.

Negative pressure results from the imbalance of air available for the appliance to operate properly. It can be strongest in lower levels of the house.

Causes include:

- Exhaust fans (kitchen, bath, etc.)
- Range hoods
- Combustion air requirements for furnaces, water appliances and other combustion appliances
- Clothes dryers
- Location of return-air vents to furnace or air conditioning
- Imbalances of the HVAC air handling system
- Upper level air leaks such as:
 - Recessed lighting
 - Attic hatch
 - Duct leaks

To minimize the effects of negative air pressure:

- Install optional outside air kit with the intake facing prevailing winds during the heating season
- Ensure adequate outdoor air for all combustion appliances and exhaust equipment
- Ensure furnace and air conditioning return vents are not located in the immediate vicinity of the appliance
- Avoid installing the appliance near doors, walkways or small isolated spaces
- Recessed lighting should be a “sealed can” design
- Attic hatches weather stripped or sealed
- Attic mounted duct work and air handler joints and seams taped or sealed
- Basement installations should be avoided



WARNING



Fire Risk.
Hearth & Home Technologies disclaims any responsibility for, and the warranty will be voided by, the following actions:

- Installation and use of any damaged appliance.
- Modification of the appliance.
- Installation other than as instructed by Hearth & Home Technologies.
- Installation and/or use of any component part not approved by Hearth & Home Technologies.
- Operating appliance without fully assembling all components.
- Operating appliance without legs attached (if supplied with appliance).
- Do NOT Over fire - If appliance or chimney connector glows, you are over firing.

Any such action that may cause a fire hazard.

D. Tools And Supplies Needed

Before beginning the installation be sure the following tools and building supplies are available:

- Reciprocating saw
- Pliers
- Hammer
- Phillips screwdriver
- Flat blade screwdriver
- Plumb line
- Level
- Misc. screws and nails
- Framing material
- High temp caulking material
- Gloves
- Framing square
- Electric drill and bits
- Safety glasses
- Tape measure
- 7/16 socket or wrench
- 1/2-3/4 in. length, #6 or #8 self-drilling screws

E. Inspection of Appliance and Components

- Remove appliance and components from packaging and inspect for damage.
- Report to your dealer any parts damaged in shipment.
- Read all the instructions before starting the installation. Follow these instructions carefully during the installation to ensure maximum safety and benefit.

F. Removal of Appliance from Shipping Materials

1. Remove box and 2x4 structural boards being careful not to damage product.
2. Using a Phillips screw driver, remove and discard the 4 screws and ash pan retention bracket from front of appliance (**Figure 6.1**).
3. Remove ash pan and set aside (**Figure 6.1**).
4. Remove and discard the pallet attach bracket (**Figure 6.1**).
5. Using a 3/8 socket or open end wrench, remove two bolts on back side as shown (**Figure 6.2**).
6. Slide appliance forward off of pallet support brackets.
7. Replace ash pan (**Figure 6.1**).

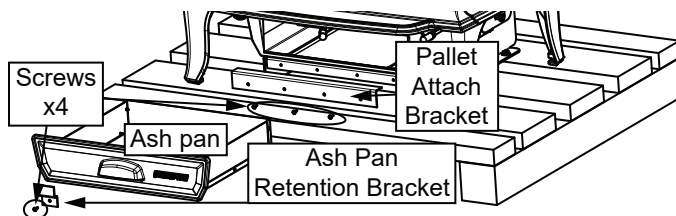


Figure 6.1

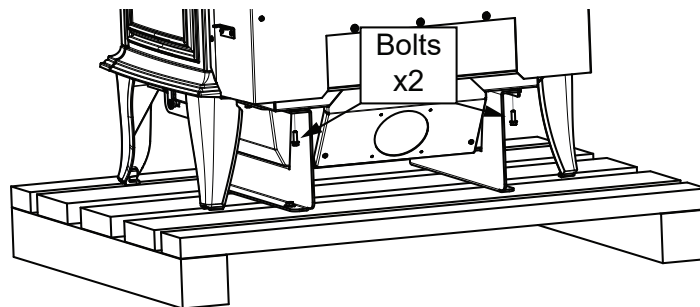




Figure 6.2



WARNING



Fire Risk.
Inspect appliance and components for damage. Damaged parts may impair safe operation.

- Do NOT install damaged components.
- Do NOT install incomplete components.
- Do NOT install substitute components.

Report damaged parts to dealer.

G. Install Checklist

ATTENTION INSTALLER:
Follow this Standard Work Checklist

This standard work checklist is to be used by the installer in conjunction with, not instead of, the instructions contained in this installation manual.

Customer: _____
 Date Installed: _____
 Lot / Address: _____
 Location of Appliance: _____
 Installer: _____
 Dealer / Distributor Phone #: _____
 Serial #: _____
 Model: _____

WARNING! Risk of Fire or Explosion! Failure to install appliance according to these instructions can lead to a fire or explosion.

Appliance Install

Verified clearances to combustibles.
 Appliance is leveled and connector is secured to appliance.
 Hearth extension size/height decided.
 Outside air kit installed.
 Floor protection requirements have been met.
 If appliance is connected to a masonry chimney, it should be cleaned and inspected by a professional. If installed to a factory built metal chimney, the chimney must be installed according to the manufacturer's instructions and clearances.

YES	IF NO, WHY?
<input type="checkbox"/>	_____
<input type="checkbox"/>	_____
<input type="checkbox"/>	_____
<input type="checkbox"/>	_____
<input type="checkbox"/>	_____

Chimney

Chimney configuration complies with diagrams.
 Chimney installed, locked and secured in place with proper clearance.
 Chimney meets recommended height requirements (14-16 feet).
 Roof flashing installed and sealed.
 Terminations installed and sealed.

<input type="checkbox"/>	_____
<input type="checkbox"/>	_____
<input type="checkbox"/>	_____
<input type="checkbox"/>	_____

Clearances

Combustible materials not installed in non-combustible areas.
 Verified all clearances meet installation manual requirements.
 Mantels and wall projections comply with installation manual requirements.
 Protective hearth strips and hearth extension installed per manual requirements.

<input type="checkbox"/>	_____
<input type="checkbox"/>	_____
<input type="checkbox"/>	_____
<input type="checkbox"/>	_____

Appliance Setup

All packaging and protective materials removed.
 Firebrick, baffle and ceramic blanket installed correctly.
 All labels have been removed from the door.
 All packaging materials are removed from inside/under the appliance.
 Manual bag and all of its contents are removed from inside/under the appliance and given to the party responsible for use and operation.

<input type="checkbox"/>	_____
<input type="checkbox"/>	_____
<input type="checkbox"/>	_____
<input type="checkbox"/>	_____

Hearth & Home Technologies recommends the following:

- Photographing the installation and copying this checklist for your file.
- That this checklist remain visible at all times on the appliance until the installtion is complete.

Comments: Further description of the issues, who is responsible (Installer/Builder/Other Trades, etc.) and corrective action needed:
 Comments communicated to party responsible _____ by _____ on _____
 (Builder / Gen. Contractor) (Installer) (Date)

3 Dimensions and Clearances

A. Appliance Dimensions

NOTE: Flue Collar size is 152mm inside diameter (ID)

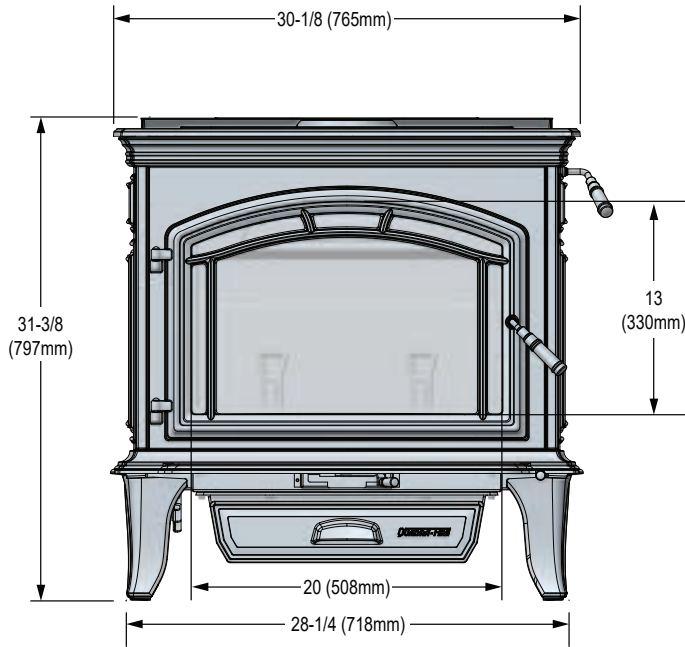


Figure 8.1 - Front View

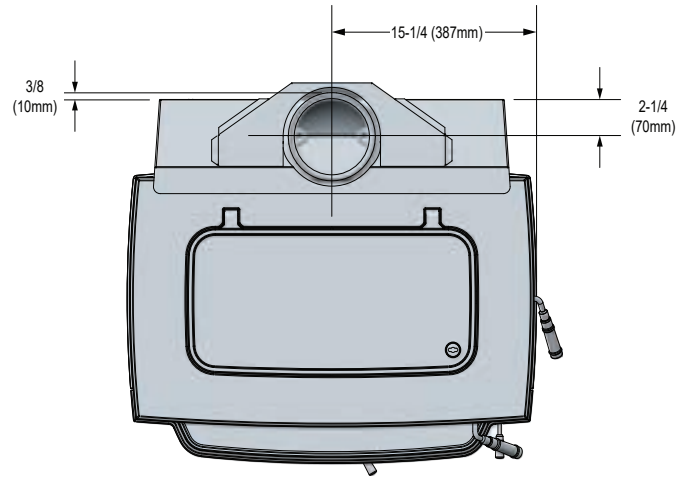


Figure 8.2 - Top View

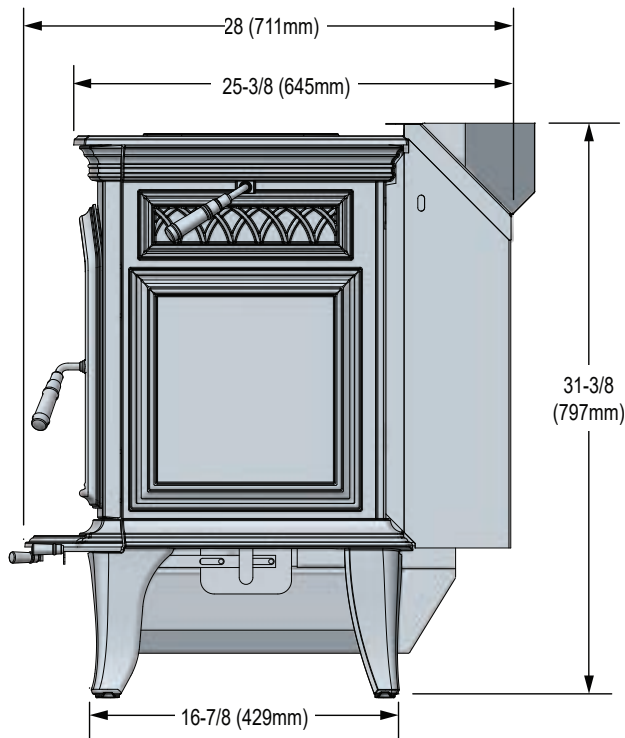


Figure 8.2 - Side View

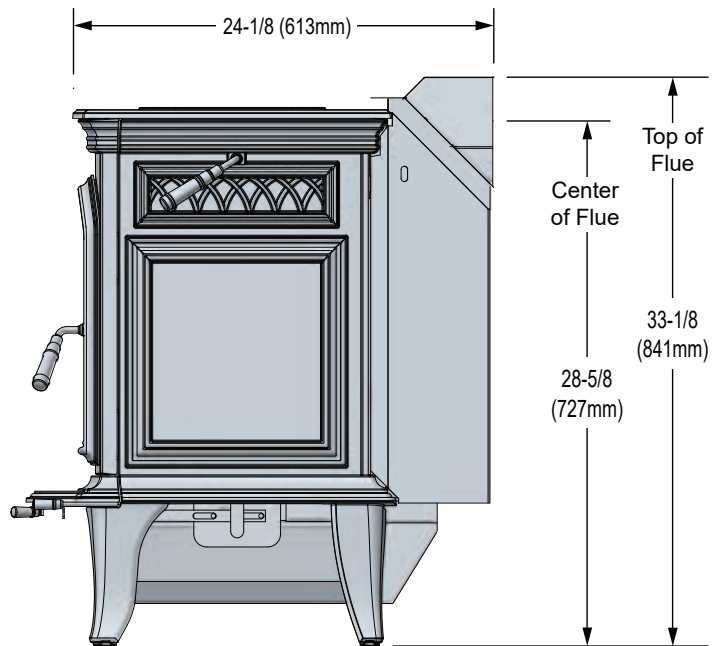







Figure 8.4 - Side View

B. Hearth Protection Requirements

Quadra-fire Explorer III ACC requires a minimum 960mm x 885mm x 6mm thick floor protector (compressed board) should be used under and in front of the appliance base when installing the appliance; see **AS/NZS 2918:2018**. The floor protector should extend 320mm in front of the appliance door and be placed centrally in the 885mm width. The Thermal resistivity of the floor protector is 0.08m².K/W for 6mm thick sheets.

	NOTE
<ul style="list-style-type: none"> • The minimum Floor Protector sizes are specified in the clearance chart, see Figures 10.1 and 109.2 on page 10. • A Floor Protector can include ceramic tiles with grouted joints fixed directly onto a wooden floor or a sheet of toughened glass, panel steel or any other non combustible material laid directly onto a wooden floor. • If installed directly onto a concrete slab, the concrete slab can be considered as the floor protector, but must maintain the minimum measurement listed. 	

	WARNING
	<p>Fire Risk. Hearth pads must be installed exactly as specified. High temperatures or hot embers may ignite concealed combustibles.</p>

	WARNING
	<p>Fire Risk.</p> <ul style="list-style-type: none"> • Comply with all minimum clearances to combustibles as specified. • Failure to comply may cause house fire.

C. Firebox Installation

1. If a separate floor protector is being used position now. Place the firebox on the floor protector to suit the minimum installation clearances (**Figures 10.1 and 10.2 on page 10**).
2. Systemically restrain the firebox and the floor protector to the floor.
3. Fit 2mm x 6mm fixings suitable for the floor material. **DO NOT** over tighten.
4. Fit timber trim pedestal edging to front and back of base (optional).

D. Clearances to Combustibles

MINIMUM CLEARANCES TO COMBUSTIBLE MATERIALS in Millimeters												
Note: A, C, and F Dimensions are to the center of the flue collar												
Explorer III AU Wood Appliance												
INSTALLATION												
	A	B	C	D	E	F	G	H	I	J	K	L
DOUBLE WALL PIPE	352	250	787	400	57	175	885	1179	310	729	1355	1473

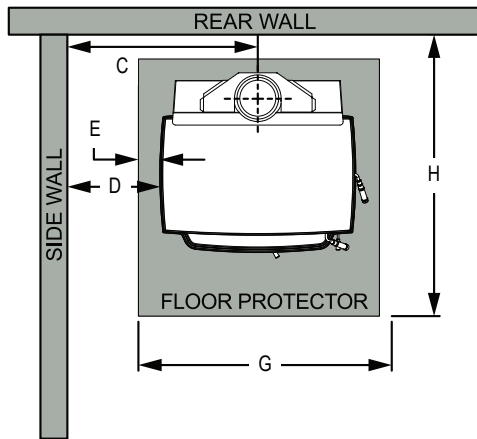


Figure 10.1

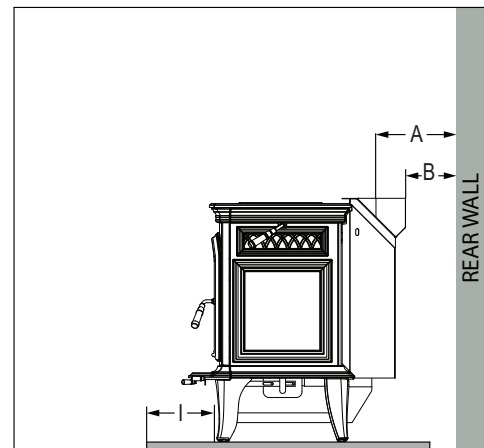


Figure 10.2

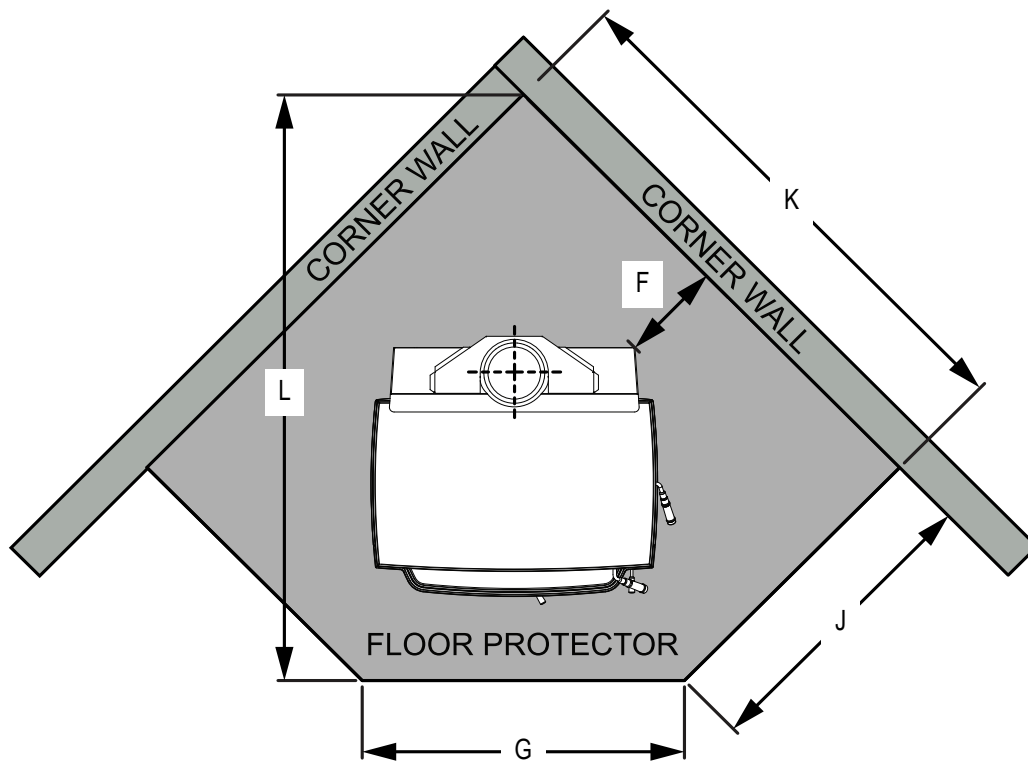


Figure 10.3

4 Chimney Systems

A. Locating Your Appliance & Chimney

Location of the appliance and chimney will affect performance. As shown in **Figure 11.1** the chimney should:

- Install through the warm space enclosed by the building envelope. This helps to produce more draft, especially during lighting and die down of the fire.
- Penetrate the highest part of the roof. This minimizes the affects of wind turbulence and down drafts.

- Consider the appliance location in order to avoid floor and ceiling attic joists and rafters.
 - Locate termination cap away from trees, adjacent structures, uneven roof lines and other obstructions.
- Your local dealer is the expert in your geographic area and can usually make suggestions or discover solutions that will easily correct your flue problem.

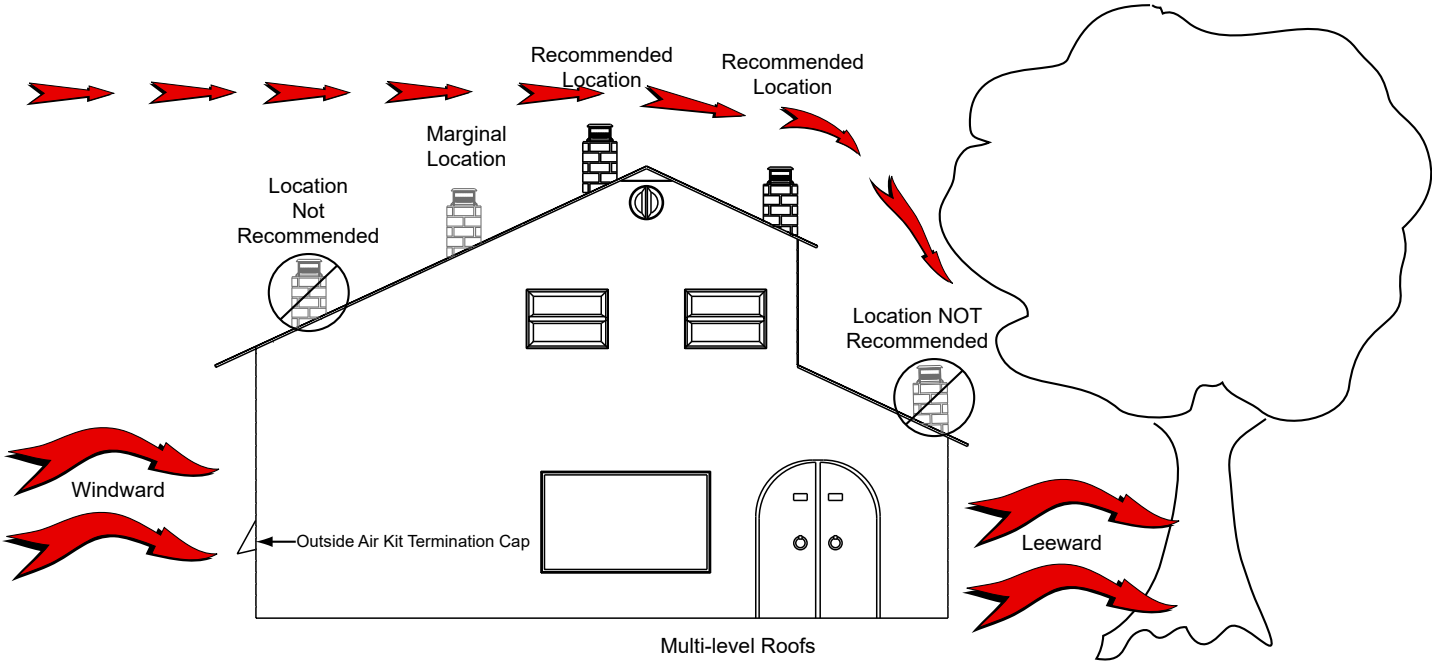


Figure 11.1

B. Minimum Height of Flue System Exit

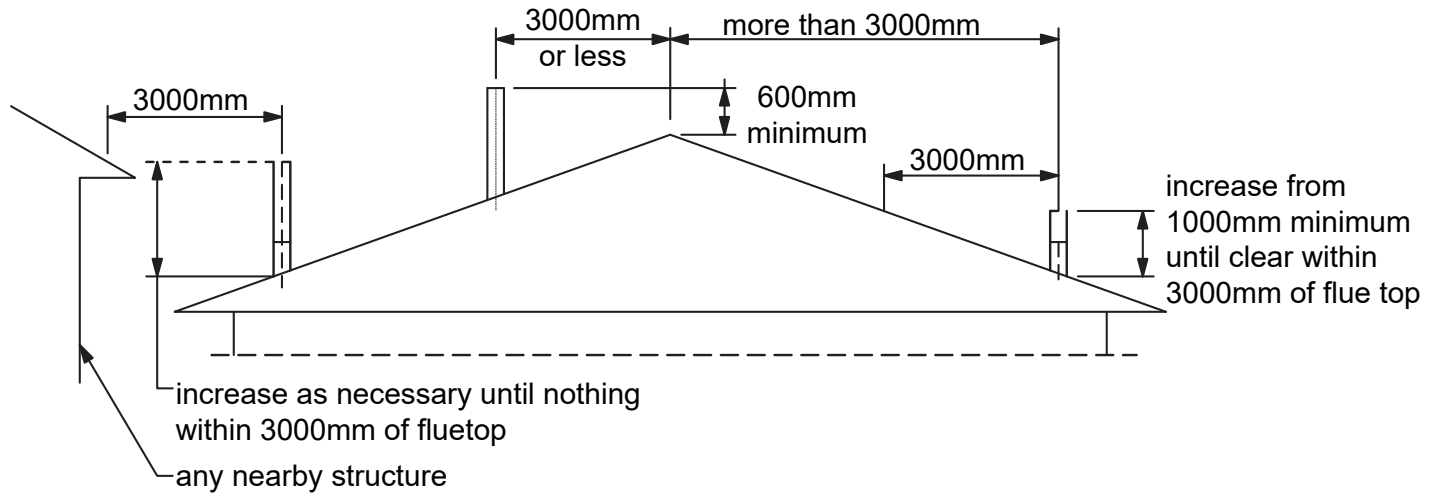


Figure 12.1

NOTICE:

- Chimney performance may vary.
- Trees, buildings, roof lines and wind conditions affect performance.
- Chimney height may need adjustment if smoking or overdraft occurs.

NOTICE:

Locating the appliance in a basement or in a location of considerable air movement can cause intermittent smoke spillage from appliance. Do not locate appliance near

- Frequently open doors
- Central heat outlets or returns


C. Chimney Termination Requirements


- Flue pipe installed crimp/narrow end down
- Outer casings installed crimped/narrow end up (Critical when exposed above the roof).
- Inner casings:
 - Direction not critical
- Flue pipes:
 - Seal all joints including firebox spigot.
 - Fix with a minimum of 3 stainless steel rivets
- Flue pipe spacers:
 - Affix to flue pipe
- Flue system termination point:
 - Refer to **AS/NZS 2918:2018**, see **Figure 15.2** on **page 15**.
- Flue pipe shall extend not less than 4.6m above top of the floor protector as per **AS/NZS 2918:2018**.
- Facade or chase systems:
 - Same rule applies as above.
- Roof penetration and flashing method refer to **NZ Building Code E2 (From 01/07/05)**.

NOTE: These instructions apply to 150mm diameter flue pipe systems as tested to **AS/NZS 2918:2018**

1. Either locate the appliance in position or by measuring at the ceiling mark the flue pipe center position. Check that the outer casing is unobstructed through the attic space or roof area.
2. Spike the center with a nail. Transfer this position to the next surface above. Plumb bob/laser.
3. Cut out the ceiling penetration hole – square or rectangle – short axis equals outer casing diameter plus 50mm, long axis as required. See Tested Flue System on page 14 and Un-Tested Flue System on page 15. Perform the same at the roof penetration.
4. Frame out the hole with minimum 75mm x 50mm timber or as required for roofing material. Minimum requirement at roof penetration see **NZ Building Code E2 Acceptable Solution (from 01/07/05)**.
5. Install the outer casing so that:
 - i. Lower end is flush with the underside of the ceiling material and
 - ii. With the addition of metal “L” brackets, affix to the outer casing at 90 degrees secure the outer casing centrally to the ceiling and roof nogs. Alternatively substitute the “L” brackets for 25mm thick non heat sensitive packers. Secure the outer casing through the packers with horizontal fixings to the nogs. Refer to the **General Flue System Instructions** on **page 13** for termination height. The option of outer casing slips to be taken into account.
6. Flash the outer casing to the roof material with the appropriate approved flashing.
7. If using an outer/inner casing combination, now install the inner casing ensuring it extends a minimum 200mm above the high side of the roof penetration. If not using a combination see ‘11’ below.

8. Refer to steps 1 and 2 under **Firebox Installation** on **page 8**.
9. Prepare the ceiling plate and place upside down over the flue spigot.
10. Install the flue pipes by preferred method – either up or down the outer casing. Affix each length per the notes in General Instructions (above). Extend the flue pipe above the outer casing to suit the casing cover/ cowl assembly.
11. If the inner casing has not been installed, install now. Refer to step 7 on **page 12** for minimum height.
12. Install the cowl assembly, i.e. Top spacer, casing cover and cowl.
13. Position and secure the ceiling plate with the screws and spacers.
14. Wipe the flue pipe to remove finger marks.
15. Refer to step 3 under **Firebox Installation** on **page 8**.
16. If flue offset is required, refer to **AS/NZS 2918:2018**



WARNING




Asphyxiation Risk.


- DO NOT CONNECT THIS Appliance TO A CHIMNEY FLUE SERVICING ANOTHER APPLIANCE.
- DO NOT CONNECT TO ANY AIR DISTRIBUTION DUCT OR SYSTEM.

May allow flue gases to enter the house.


WARNING

Improper installation, adjustment, alteration, service or maintenance can cause injury or property damage. Refer to the owner’s information manual provided with this appliance. For assistance or additional information consult a qualified installer, service agency or your dealer.


WARNING



Fire Risk.

Follow Chimney Connector Manufacturer’s Instructions for Proper Installation.

ONLY use connector:

- Within the room, between appliance and ceiling or wall.
- Connector shall NOT pass through:
 - Attic or roof space
 - Closet or similar concealed space
 - Floor or ceiling

Maintain minimum clearances to combustibles

D. General Flue System Instructions

1. Unpack the Flue Mounted Shield, detach the three brackets and familiarize yourself with the illustrations.
2. Using a sharp knife or razor blade, carefully cut through the plastic film on the “inside face” where it meets the outer shield (refer sketch). Cut along the full length of the Flue Mounted Shield on both side, then peel off and fully remove the plastic film from the stainless steel inner shield.
3. Peel back and fully remove the plastic film from the outer shield.
4. Fit the top bracket to the Flue Mounted Shield as illustrated ensuring the rear mid section of the bracket fits “outside” while the two outer sections of the bracket fit “inside”.
5. Fit the appropriate lower bracket to your wood fire.

Lower Bracket “5B suitable for all other wood fires without an inner rear heat shield. On certain model wood fires without a raised flue spigot it will be necessary to cut off both the lower outer legs from the bracket “5B” leaving the entral tongue to locate inside the flue outlet only.

Two tabs are provided and if folded back at 90 degrees the bracket and Flue Mounted Shield will mount lower onto the appliance.


The Flue Mounted Shield then locates into the two notches provided n bracket “5B” as illustrated.

6. Once the Flue Mounted Shield is fitted in position onto either of the two lower mounting brackets, check to ensure a large gap is not present between the top of the wood fire and the base of the Flue Mounted Shield, as this may result in a hot spot on the rear wall directly behind the flue outlet. If your wood fire has a lift off top grill the Flue Mounted Shield should be raised sufficiently to enable the top grill to be removed.
7. Using the already punched holes in the two tabs provided on the top bracket as guides, drill into the flue pipe and secure the top bracket to the flue pipe with two stainless steel rivets (not supplied).

E. Chimney Height / Rise and Run

This product was designed for and tested on a 152mm chimney, 427-488cm high, (includes appliance height) measured from the base of the appliance. The further your stack height or diameter varies from this configuration, the greater the likelihood it may affect performance.

Chimney height may need to be increased by 2 - 3% per each 305 meters above sea level. It is not recommended to use offsets or elbows at altitudes above 1219 meters above sea level or when there are other factors that affect flue draft.




WARNING

Fire Risk.
Do NOT pack insulation or other combustibles between spacers.

- ALWAYS maintain specified clearances around venting and spacers.
- install spacers as specified.

Failure to keep insulation or other material away from vent pipe may cause fire.



F. Installing Chimney Components Chimney Connector

Single wall connector or appliance pipe:

This must be at least 24 gauge mild steel or 26 gauge blue steel. The sections must be attached to the appliance and to each other with the crimped (male) end pointing toward the appliance. All joints, including the connection at the flue collar, should be secured with 3 sheet metal screws. Make sure to follow the minimum clearances to combustibles.

Factory-built listed chimney connector (vented):

The listed connectors must conform to each other to ensure a proper fit and seal.

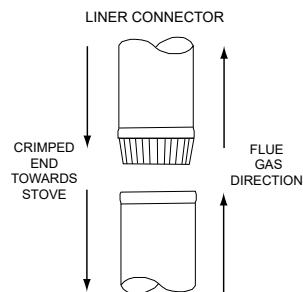


Figure 14.1 - Chimney Connector (Appliance Pipe)

G. Proper Draft

To be sure that your Quadra-Fire insert burns properly, the chimney draft (static pressure) should be approximately -2.54mm water column (W.C.) during a high burn and -1.016mm W.C. during a low burn, measured 152mm above the top of the insert after one hour of operation at each burn setting.

H. 6" - 8" - 10" Freestanding Triple Skin System

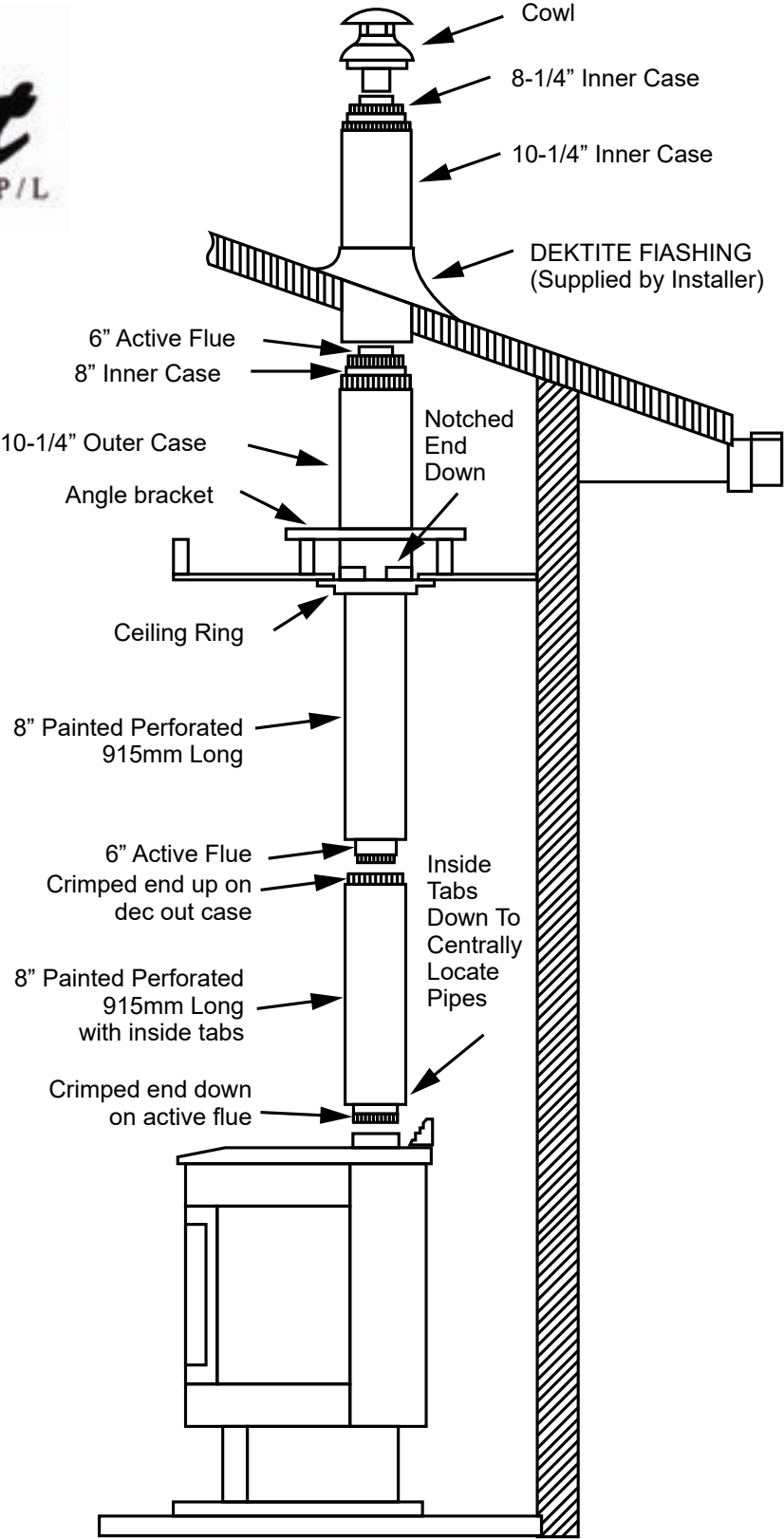


Freestanding Triple Skin Flue Kit Perforated 6" - 8" - 10" System

QTY	DESCRIPTION
4	6" Stainless Steel Inner Flue 915mm Long
1	7-3/4" Painted Perforated 915mm Long
1	7-3/4" Painted Perforated 915mm Long with in-tabs
2	8" Galvanized Inner Flue Casing 915mm Long
1	10" Galvanized Notched Outer Flue Casing 915mm Long
1	10" Galvanized Outer Flue Casing 915mm Long
1	Cowl
1	Ceiling Ring
2	75 x 25 Angles 915mm Long
1	Installation Guide

CARTON SPECIFICATIONS	
Height	460mm
Width	460mm
Length	1150mm
Weight	32kg

WILDCAT INDUSTRIES
 35 Marconi Drive, Dandenong South VIC 3175
 PH: 03 9706 5544
 ABN 84 112 862 718
www.wildcatindustries.com.au



MUST ONLY BE INSTALLED BY AN AUTHORIZED PERSON IN COMPLIANCE WITH AS 2918

I. Tested Flue Systems, as per AS/NZS 2918:2001

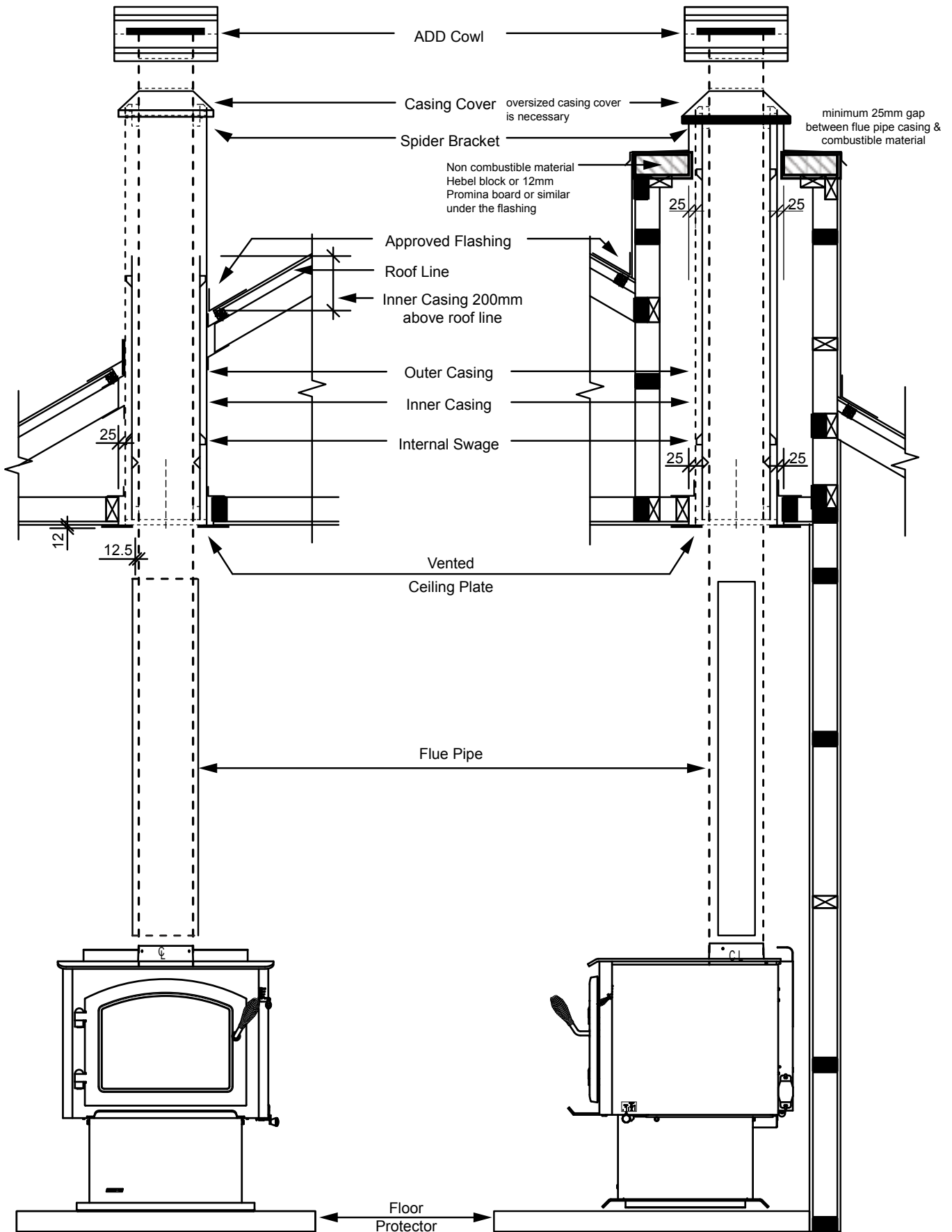


Figure 16.1

J. Un-Tested Flue Systems , as per AS/NZS 2918:2001, 4.6.3(b)

AS/NZS2918:2001

Un-tested flue with sloped ceiling penetration greater than 30° from horizontal

A = 25mm

4.6.3(b)
Fig 4.6 = downward distance of casing and 3 x Ø flue distance of the ceiling plate

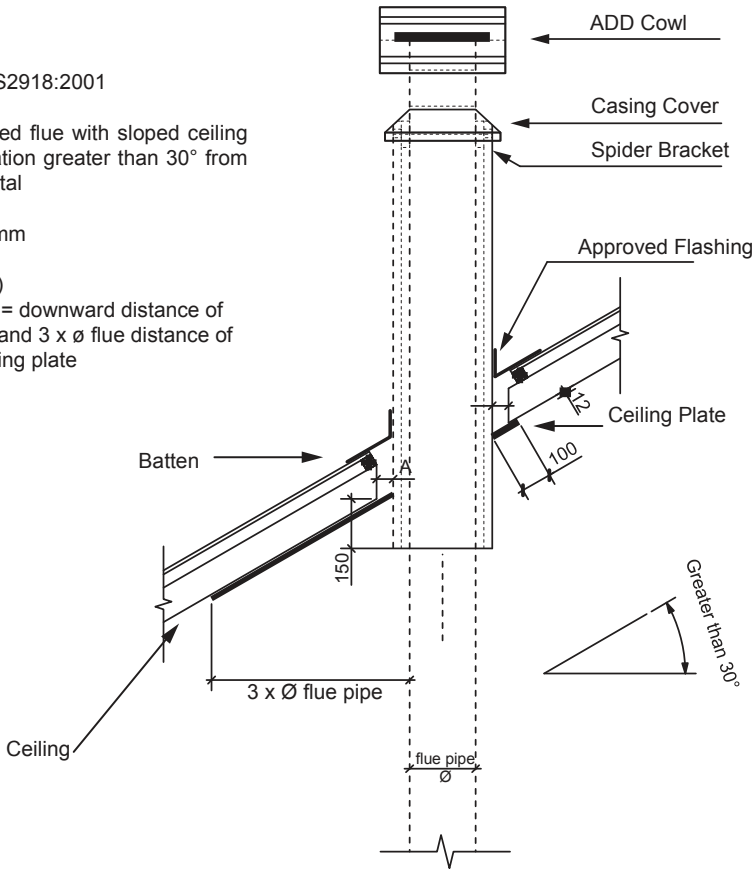


Figure 17.1

AS/NZS2918:2001

Un-tested flue with sloped ceiling penetration greater than 30° from horizontal

A = 25mm

4.6.3(b)
Fig 4.6 = 3 x Ø flue from active flue to heat sensitive surface

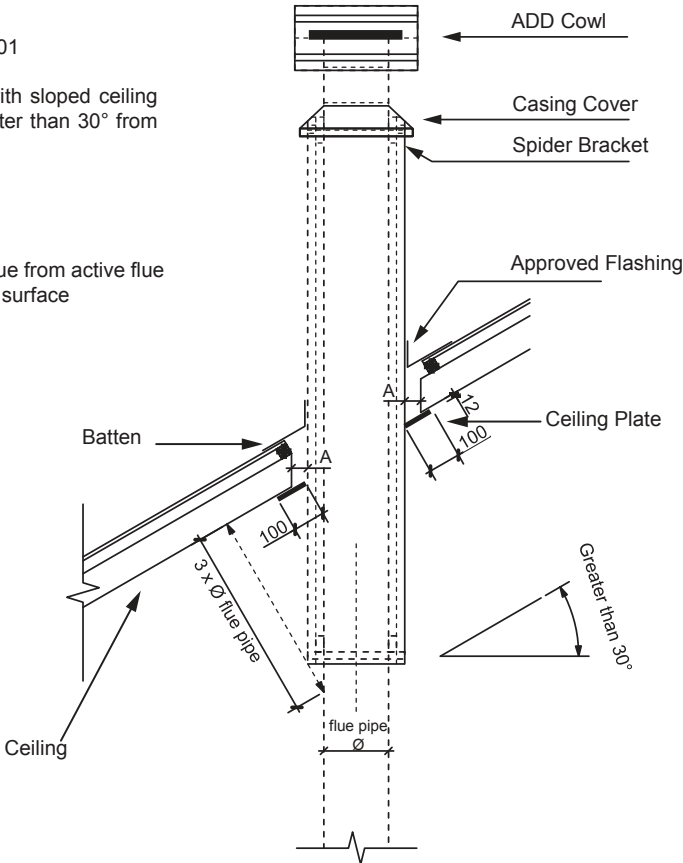


Figure 17.2

5 Appliance Set-Up

A. Outside Air Kit Installation

A source of air (oxygen) is necessary in order for combustion to take place. Whatever combustion air is consumed by the fire must be replaced. Air is replaced via air leakage around windows and under doors. In homes that have tightly sealed doors and windows, an outside air source is needed. An optional Outside Air Kit is available.

Included in OAK-ACC:




Termination cap, (2) wire ties, flex adapter, and fasteners



Included in SRV7033-041:



Cover plate and sealing rope (see Floor Installation Alternative below, **Figure 18.2**)

Items Needed for Installation (not supplied)

- 102mm flex aluminum pipe, or if using alternate material, then it shall be made from durable, non-combustible, heat resistant material up to 350°F. Cut the pipe to the required length for your installation.
 - Phillips head screw driver
 - Silicone sealant
 - Drills and saws necessary for cutting holes through the wall or flooring in your home.
1. Remove all materials from packing box.
 2. Using a #2 Phillips screw driver attach the flex adapter to the appliance using 4 screws (**Figure 18.1**)
 3. For floor installations, remove circular "knock-out" in the base of the pedestal.
 4. **Floor & Rear Installation:**
Cut a 102mm hole in outside wall or floor to accommodate outside air piping. Use 102mm aluminum metal flex or rigid piping to directly connect outside air to appliance intake. Use the supplied termination cap with a rodent screen. Seal between the wall (or floor) and the pipe with silicone to prevent moisture penetration.
 5. **Floor Installation Alternative:**
In some instances you may not be able to install the flex pipe as show in **Figure 18.1**. If that is the case, you will need to order SRV7033-041 which includes a cover plate and sealing rope as shown in **Figure 18.2**. The goal is to seal the pedestal so no room air can leak into the pedestal or for cold air infiltration.

	WARNING
	<p>Fire Risk. Asphyxiation Risk. Do not draw outside combustion air from:</p> <ul style="list-style-type: none"> • Wall, floor or ceiling cavity • Enclosed space such as an attic or garage • Close proximity to exhaust vents or chimneys <p>Fumes or odor may result</p>
	

	WARNING
	<p>Asphyxiation Risk. Outside air inlet must be located to prevent blockage from:</p> <ul style="list-style-type: none"> • Leaves • Snow or ice • Other debris <p>Block may cause combustion air starvation. Smoke spillage may set off alarms or irritate sensitive individuals.</p>

	WARNING
	<p>Asphyxiation Risk. Length of outside air supply duct shall NOT exceed the length of the vertical height of the exhaust flue.</p> <ul style="list-style-type: none"> • Fire will not burn properly • Smoke spillage occurs when door is opened due to air starvation

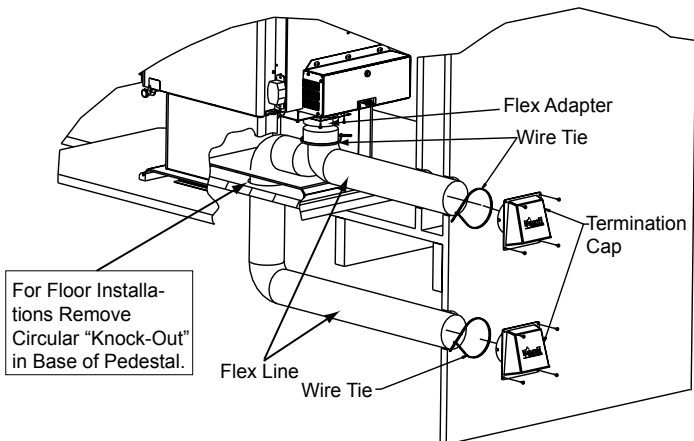


Figure 18.1 - Floor & Rear Installation

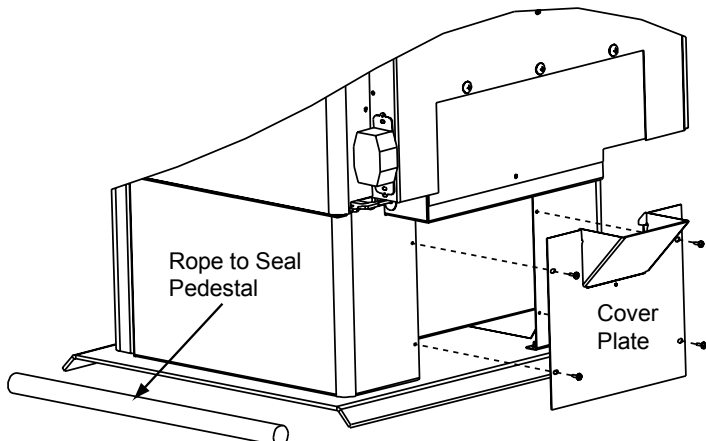


Figure 18.2

6 AS/NZS 2918:2018 General Notes

WARNINGS

WARNING: THE APPLIANCE AND FLUE SYSTEM SHALL BE INSTALLED IN ACCORDANCE WITH **AS/NZS 2918** AND THE APPROPRIATE REQUIREMENTS OF THE RELEVANT BUILDING CODE OR CODES.

WARNING: APPLIANCES INSTALLED IN ACCORDANCE WITH THIS STANDARD SHALL COMPLY WITH THE REQUIREMENTS OF **AS/NZS 4013** WHERE REQUIRED BY THE REGULATORY AUTHORITY, I.E. THE APPLIANCE SHALL BE IDENTIFIABLE BY A COMPLIANCE PLATE WITH THE MARKING 'TESTED TO **AS/NZS 4013**'.

ANY MODIFICATION OF THE APPLIANCE THAT HAS NOT BEEN APPROVED IN WRITING BY THE TESTING AUTHORITY IS CONSIDERED TO BE IN BREACH OF THE APPROVAL GRANTED FOR COMPLIANCE WITH **AS/NZS 4013**.

CAUTION: MIXING OF APPLIANCE OR FLUE SYSTEM COMPONENTS FROM DIFFERENT SOURCES OR MODIFYING THE DIMENSIONAL SPECIFICATION OF COMPONENTS MAY RESULT IN HAZARDOUS CONDITIONS. WHERE SUCH ACTION IS CONSIDERED, THE MANUFACTURER SHOULD BE CONSULTED IN THE FIRST INSTANCE.

CAUTION: CRACKED AND BROKEN COMPONENTS, e.g. GLASS PANELS OR CERAMIC TILES, MAY RENDER THE INSTALLATION UNSAFE.

WARNING: ANY MODIFICATION OF THE APPLIANCE THAT HAS NOT BEEN APPROVED IN WRITING BY THE TESTING AUTHORITY IS CONSIDERED AS BREACHING **AS/NZS 4013**.

WARNING: DO NOT USE FLAMMABLE LIQUIDS OR AEROSOLS TO START OR REKINDLE THE FIRE.

WARNING: DO NOT USE FLAMMABLE LIQUIDS OR AEROSOLS IN THE VICINITY OF THIS APPLIANCE WHEN ITS OPERATING.

WARNING: DO NOT STORE FUEL WITHIN HEATER INSTALLATION CLEARANCES.

WARNING: FOR OPTIMUM PERFORMANCE FUEL MUST BE LOADED SO THE LOGS LAY "FRONT TO REAR" IN PREFERENCE TO LAYING ACROSS THE WIDTH OF THE FIREBOX. SPACES SHOULD BE LEFT BETWEEN THE LOGS TO ENABLE OXYGEN TO GET TO AS MUCH OF THE SURFACE OF THE FUEL AS POSSIBLE.

CAUTION: THIS APPLIANCE SHOULD BE MAINTAINED AND OPERATED AT ALL TIMES IN ACCORDANCE WITH THESE INSTRUCTIONS.

CAUTION: THE USE OF SOME TYPES OF PRESERVATIVE-TREATED WOOD AS A FUEL CAN BE HAZARDOUS.

QUADRA-FIRE®

NOTHING BURNS LIKE A QUAD

CONTACT INFORMATION

Hearth & Home Technologies
352 Mountain House Road
Halifax, PA 17032
Division of HNI INDUSTRIES

Please contact your Quadra-Fire dealer with any questions or concerns.
For the number of your nearest Quadra-Fire dealer
log onto www.quadrafire.com



CAUTION



DO NOT DISCARD THIS MANUAL

- Important operating and maintenance instructions included.
- Read, understand and follow these instructions for safe installation and operation.
- Leave this manual with party responsible for use and operation of this appliance.



We recommend that you record the following pertinent information for your heating appliance.

Date purchased/installed: _____

Serial Number: _____

Location on appliance: _____

Dealership purchased from: _____

Dealer Phone: 1() - _____

Notes:

This product may be covered by one or more of the following patents: (United States) 5341794, 5263471, 6688302, 7216645, 7047962 or other U.S. and foreign patents pending.


HEARTH & HOME
technologies™